

Houva II[®]

Trusted Phototherapy Solutions
for Full-Body Clinical Treatments



Phototherapy System with
Photosense[®] Technology

 NATIONAL
BIOLOGICAL

Houva II[®]



PhotoSense[®] Exposure Control

For Precise Treatment Management

Because the Houva II[®] features separate UVA and UVB PhotoSense[®] Exposure Controls and UVA and/or UVB measuring devices, you and your patients benefit from precise treatment management regardless of which regimen you choose. As an added safety measure, you may preset a maximum exposure time to minimize the chance for overexposure.



The National Biological Advantage

- An experienced staff of full-time engineering professionals well versed in UV technology
- On-site installation and training on Houva II[®] operation and benefits
- Service performed on your premises
- Thorough testing, inspection, and documentation of every device and component by our Quality Assurance staff
- Quality-built with care and attention to detail
- "Total Support" with the most comprehensive warranty in the industry

Trusted Phototherapy Solutions for Full-Body Clinical Treatments



Houva II[®] Safety

- **Failsafe “watchdog” circuitry**

Engineered with patient safety as top priority, the Houva II comes equipped a proprietary circuitry system - consistently monitoring for malfunctions, “watchdog” will automatically shut off the device if a device error is detected.

- **ON/OFF key switches for safety**

Avoid accidental treatments via the integrated key switch safety lockout.

- **Non-UV-transmitting viewing window**

Monitor your patient’s treatments from a safe vantage point when you use the non-UV-transmitting window.

Houva II[®] Device Features

- **Sturdy screen protection for lamps**

Designed to protect the patient from accidental contact with the lamps while simultaneously creating a protective barrier that shields and protects the lamps.

- **Full reflector panels to maximize lamp output**

Full-length panels reflect the lamp’s output and contains the light within the unit - yielding shorter and more effective treatments while also increasing lamp efficiency and lamp life.

- **Hand rails for patient safety**

- **Patient Ergonomics**

Exclusive perimeter flow ventilation for increased patient comfort.

Raised floor for proper treatment of lower legs.

Non-skid floor mat for patient safety.

Houva II[®]

Trusted Phototherapy Solutions
for Full-Body Clinical Treatments

Three Lamp Configurations Available

Option 1: UAB-102: Houva II NB-UVB and UVA System

Option 2: UAB-224: Houva II International 24 UVA and 24 NB-UVB System

Option 3: UAB-310: Houva II 24 UVA-1 and 24 NB-UVB System

Option 4: UVB-111: Houva II International NB-UVB System

Option 5: UVB-101: Houva II 48 NB-UVB System

National Biological uses only new Philips TL Brand Narrowband UVB Lamps

SPECIFICATIONS

ELECTRICAL RATING:

- 208 VAC, 60 Hz
- 24 amperes per leg
- 10-foot, 4 conductor #10 AWG power cable included
- Optional international base 200/221/220/230/240 volts, 50/60 hertz

Note: A 30 amp disconnect switch should be located within 5 feet of the device. For other supply voltages and systems, including international use, contact National Biological Corporation.

ELECTRICAL CERTIFICATION:

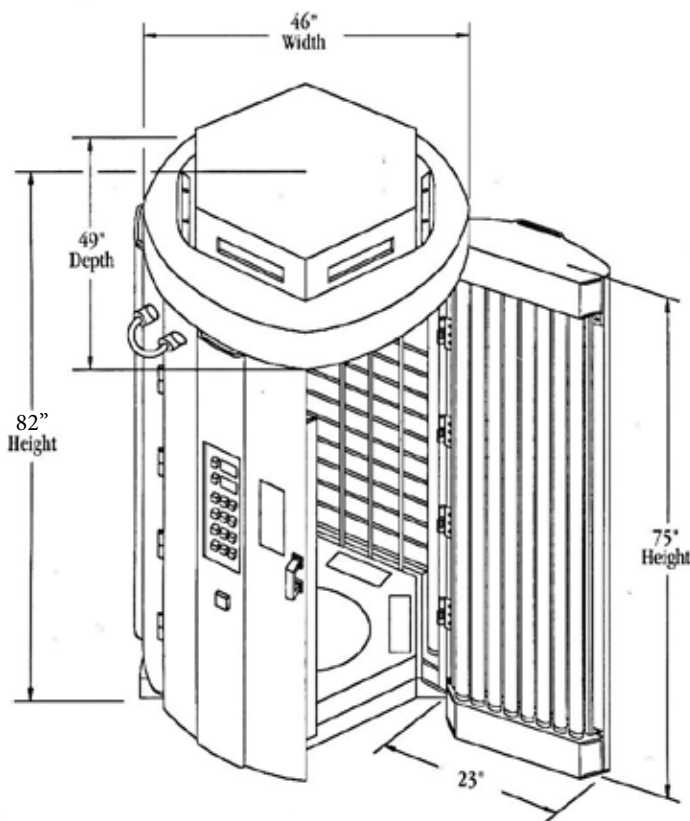
- Listed with ETL Testing Laboratories, Inc.
- Certified to the Canadian Standards Association and CMDCAS
- National Biological Corp. is certified to ISO-13485

DIMENSIONS:

46" W x 49" D x 82" H

WARRANTY:

- All parts (excluding lamps) carry a 1-year, free replacement warranty.
- Extended Warranties also available.
- Lamps warranted for 90 days.



Houva II[®] Your Best Value!

Houva II[®] provides the benefits, efficiency, and safety your practice requires, from a name you can trust - National Biological

- PhotoSense[®] Exposure Control for precise treatment management
- Unsurpassed Safety Features including "watchdog" failsafe circuitry
- Six Lamp Configurations including 311nm Narrowband and UVA-1
- Ongoing Unsurpassed Commitment to Service featuring our "Total Support" Warranty and our toll-free help line
- External Measuring devices included at no additional charge (may be used with all phototherapy equipment)
- Complete line of phototherapy accessories in stock at all times

DF-180-En Rev001

23700 Mercantile Rd • Beachwood, OH 44122

Phone: (216) 831-0600 or (800) 338-5045

Fax: (216) 765-0271

Email: info@natbiocorp.com

Website: www.natbiocorp.com